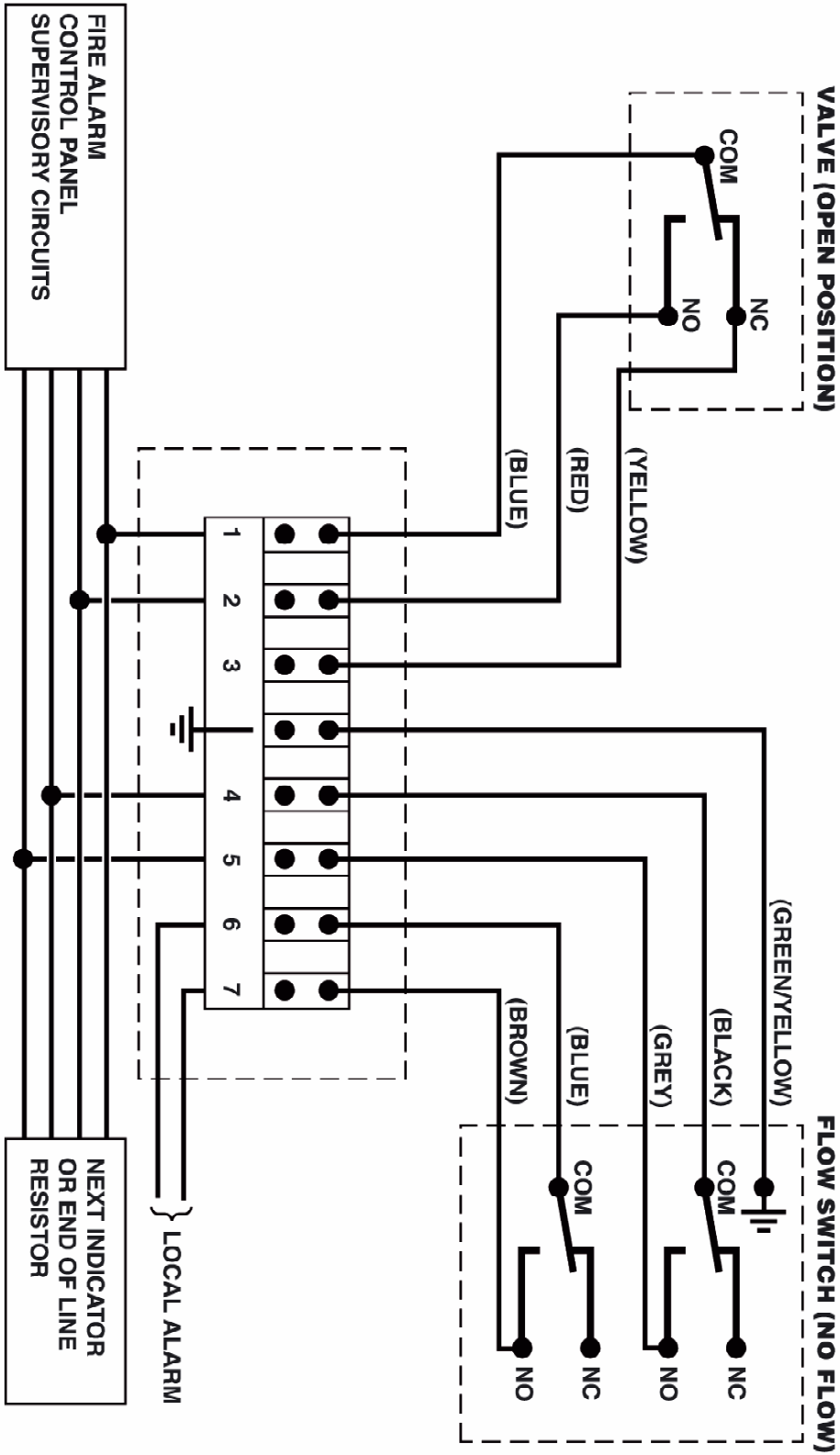


This design drawing is the property of Sale Engineering Products Ltd, and must not be reproduced, copied nor its contents divulged without their permission.



SALE ENGINEERING PRODUCTS

9 ASTON COURT, KINGSLAND GRANGE
 WOOLSTON, WARRINTON, WA1 4SG
 TEL: 01925 810889

TITLE:

FLOW TEST ASSEMBLY
 WIRING DIAGRAM

DRAWING BY: DAVID BIRCH

REVISIONS: B

DRAWING No: A4/1001

DATE: 18/10/2005