

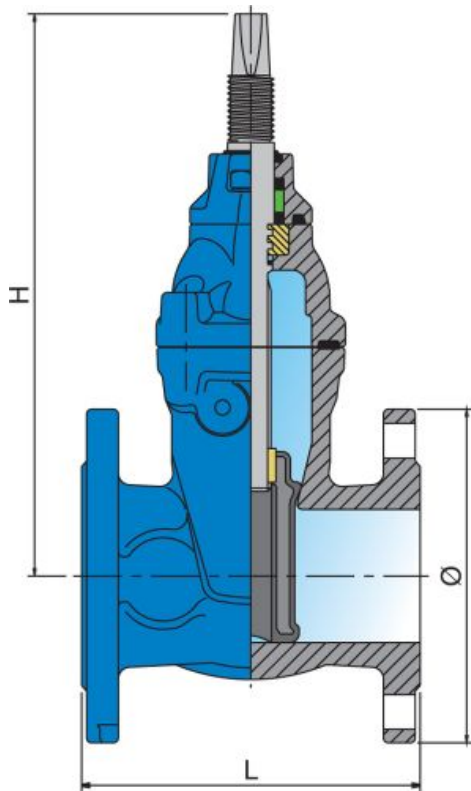
- Handwheel / Cap Operated
- Non-Rising Stem
- WRAS Approved BS 5163

Pressure/Temperature Rating

Manufactured to BS 5163 : 1986 Type B.
 Overall Length to BS 5163 : 1986.
 Stem Seals replaceable under pressure.
 Open / Shut indicators and limit switches available as optional extras.

Test Pressures (Hydraulic)

Maximum Pressure: 16 bar
 Maximum Temperature: 70°C



Materials

| Part | Material | BS |
|-----------------------|----------------------|-----------------|
| Body and Bonnet | Grey Cast Iron GG-25 | BS EN 1561 |
| Body, Bonnet Seals | EDJ-70 Rubber | |
| Gland Flange Assembly | Ductile Iron GGG-50 | BS EN 1564 |
| Stem | Stainless Steel | BS 970 |
| Thrust Collar | DZR Brass | BS 2874 - CZ132 |
| Wedge | Ductile Iron GGG-50 | BS EN 1564 |
| Wedge Nut | DZR Brass | BS 2874 - CZ132 |

Dimensions & Weights

| | | | | | | | | | |
|--------------------|-----|-----|-----|-----|-----|-----|-----|-----|-----|
| DN (mm) | 50 | 80 | 100 | 150 | 200 | 250 | 300 | 350 | 400 |
| Ø (mm) | 165 | 200 | 220 | 285 | 340 | 405 | 460 | 533 | 580 |
| L (mm) | 178 | 203 | 229 | 267 | 292 | 330 | 356 | 381 | 406 |
| H (mm) | 279 | 294 | 324 | 429 | 531 | 614 | 690 | 867 | 867 |
| Weight (Kg) | 18 | 21 | 28 | 48 | 75 | 114 | 153 | 275 | 304 |