

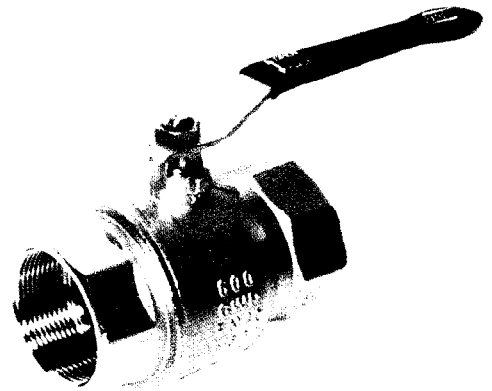
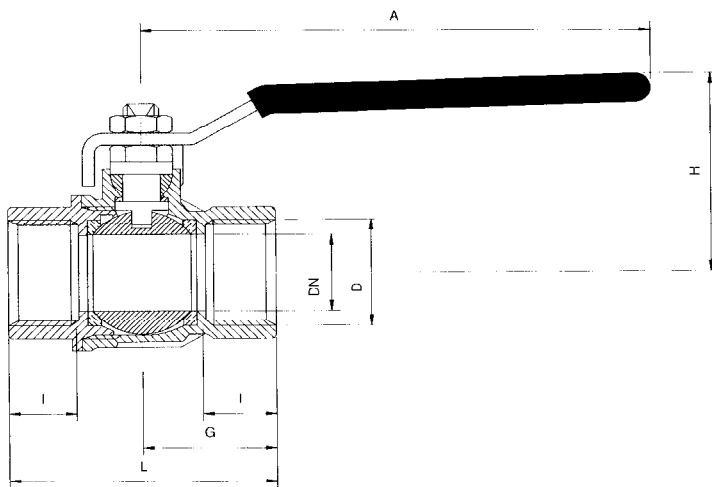
FIGURE 85 WBS APPROVED FULL BORE BRASS BALL VALVE

- Blow-out proof stem
- Full bore hard Chromium plated ball
- Virgin PTFE seats and stem seals
- Bi-directional flow for ease of installation
- Adjustable Gland
- Dacrotized steel handle with PVC sleeve
- Threaded BSP Parallel

Temperature Range

'T' Handle available for valves from 1/4" to 1"

-20°C +170°C



DIMENSIONS AND PRESSURE RATINGS

D inch	DN mm	I mm	L mm	G mm	A mm	H mm	PN
1/4	8	12	45	22.5	82	39.5	40
3/8	10	12	45	22.5	82	39.5	40
1/2	15	15.5	59	29.5	100	43	40
3/4	20	17	64	32	120	54	40
1	25	21	81	40.5	120	54	40
1 1/4	32	23	93	46.5	158	76.5	40
1 1/2	40	23	102	51	158	82.5	40
2	50	26.5	121	60.5	158	89.5	40

MATERIALS

Part	Material
Body	MS 58 Brass (Nickel Plated)
Stem	OT 58 Brass (Nickel Plated)
Ball	MS 58 Brass (Chrome Plated)
Gland	OT 58 Brass (Nickel Plated)
Seat	PTFE
Gland Seal	PTFE